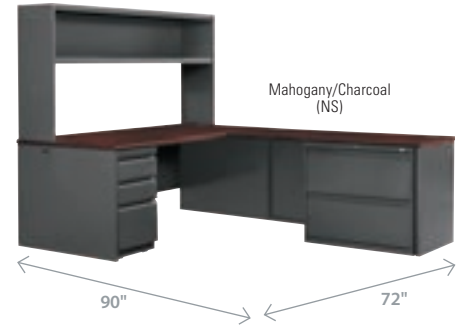
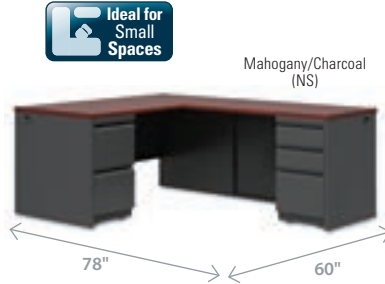
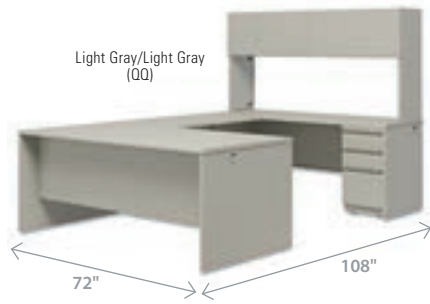


PREFERRED SETTINGS



U-WORKSTATION WITH STACK-ON STORAGE

3,959.00

Qty.	Item No.	Description
1	HON-38934QQ	72" Desk Shell
1	HON-38210QQ	Bridge
1	HON-38925QQ	72" Credenza Shell
1	HON-38244NQ	72" Stack-on Open Shelf
1	HON-38249Q	Flipper Doors (Pair)
1	HON-33720RQ	Box/Box/File Mobile Pedestal

L-WORKSTATION

2,491.00

Qty.	Item No.	Description
1	HON-38932NS	60" Desk Shell
1	HON-38943RNS	Right Return
1	HON-33720RS	Box/Box/File Mobile Pedestal
1	HON-33820RS	File/File Mobile Pedestal

L-WORKSTATION WITH STACK-ON STORAGE

3,690.00

Qty.	Item No.	Description
1	HON-38934NS	72" Desk Shell
1	HON-38945RNS	60" Right Return Shell
1	HON-38244NS	72" Stack-on Open Shelf
1	HON-33723RS	Box/Box/File Mobile Pedestal
1	HON-882LS	Lateral File

SETTING COMPONENTS Build your own configuration. Mix-and-match components are sold below.

	Desk Shell	Return Shell	Bridge	Credenza Shell	Stack-on Open Shelf	Brigade® Lateral File	Brigade® Radius Pull Mobile Pedestal	Articulating Arm with Convertible Keyboard
	Use alone, attach to Bridge and Credenza Shell for a "U" Workstation, or attach to Return for an "L" Workstation.	Not freestanding. Use with Desk Shell for an "L" workstation.	Connects Desk and Credenza to form a "U" workstation.	Use alone, attach to Bridge and Desk Shell for a "U" Workstation, or attach to Return for an "L" Workstation.	Mount on Desks, Credenzas or Returns.	Locking drawers. Counterweight included, where applicable, to meet ANSI/BIFMA requirements.	High sides for front-to-back letter size filing. Ball bearing suspensions. 90% extension on file and box drawers. HON® "One-Key" interchangeable lock core. Counterweight inhibits tipping when opening more than one drawer. Fixed front casters; swivel back casters. Fits under 29 1/2" high worksurfaces.	21" glide track. 7" height adjustment. 15° tilt and 360° rotation. Tilt: +15°/-15°. Mouse tray dimensions: 9 1/4" x 8 1/2".
	ID 72"	ID 60" RIGHT ID 60" LEFT	ID 48" WIDE	ID 72" ID 60"	ID 72" WIDE ID 48" WIDE	ID 2 DRAWERS	ID BOX/BOX/FILE ID BOX/BOX/FILE ID FILE/FILE ID FILE/FILE	ID
	1 HON-38934QQ 2 HON-38934NS	5 HON-38945RQQ 6 HON-38945RNS	13 HON-38210QQ 14 HON-38210NS	15 HON-38925QQ 16 HON-38925NS	19 HON-38244NS 20 HON-38244NQ	23 HON-882LS 24 HON-882LQ	25 HON-33723RS 26 HON-33723RQ	33 HON-2107
	MAHOAGANY/CHARCOAL	MAHOAGANY/CHARCOAL	MAHOAGANY/CHARCOAL	MAHOAGANY/CHARCOAL	MAHOAGANY/CHARCOAL	CHARCOAL	MAHOAGANY/CHARCOAL	MAHOAGANY/CHARCOAL
	SIZE (W x D x H) 72" x 36" x 29 1/2"	60" x 30" x 29 1/2"	48" x 24" x 29 1/2"	72" x 24" x 29 1/2"	60" x 24" x 29 1/2"	36" x 19 1/4" x 28 3/4"	15" x 22 1/4" x 28"	18 3/4" x 11 1/2" x 7"
	SHPG. WT. 134 lbs.	103 lbs.	54 lbs.	99 lbs.	89 lbs.	129 lbs.	77 lbs.	16 lbs.
	PRICE 938.00	853.00	462.00	908.00	824.00	738.00	509.00	435.00

15-GR-L-EVL

